

ACOUSTICAL UNIVERSAL PIPE CLAMP

» 550-11Q

PipeDown™ TouchDown™

SPECIFICATION

Sioux Chief 550-11Q Universal Pipe Clamp shall be used where necessary to secure pipe or stub outs when job specifications call for clamps with acoustical properties in piping systems on residential or commercial projects. Variable clamping tension allows for thermal expansion and contraction on pipe or tube ranging from 3/8" O.D. to 1 1/8" O.D. Standoff distance shall be 1/4" from building member. Clamp and elastomer inserts shall be compatible for use with copper, PEX or CPVC supply lines. System shall be corrosion and UV resistant and certified by UPC/IAPMO.

INSTALLATION

Install screw (provided) into clamp base and secure to structure. Insert red elastomer inserts into base and bridge. Position pipe in base of clamp and ratchet top bridge evenly to secure pipe.

MATERIALS

Clamp: Nylon 66, UL94 V-2

Clamp/bridge elastomer insert: TPE, shore A 38

Screw: #6 x 1" bugle head, drill point, zinc plated

WORKING TEMPERATURE

Clamp: -10°F – 220°F

Clamp/bridge Insert: 180°F

SAFE WORKING LOAD

-10°F – 130°F	70 lbs.
131°F – 180°F	38 lbs.
181°F – 220°F	12 lbs.

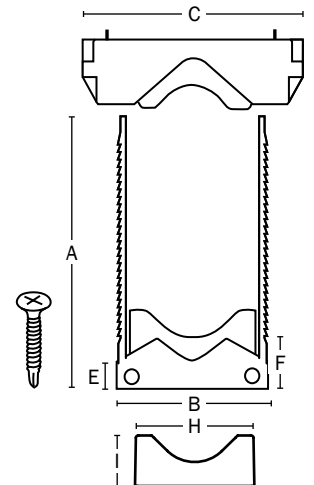
DIMENSIONS

A: Clamp height	2.36"
B: Clamp width	1.37"
C: Bridge width	2"
D: Bridge height	0.25"
E: Offset distance	0.25"
F: Offset distance with TPE insert	0.42"
G: Clamp range	0.375"–1.125" (3/8" O.D.–1 1/8" O.D.)
H: Noise block height	0.42"
I: Noise block width	0.97"

ITEM # SUBMITTED	_____
JOB NAME	_____
LOCATION	_____
ENGINEER	_____
CONTRACTOR	_____
PO#	_____ TAG _____



550-11Q



Made in USA

Item Number

550-11Q

Description: TouchDown with acoustical elastomer inserts and screw.